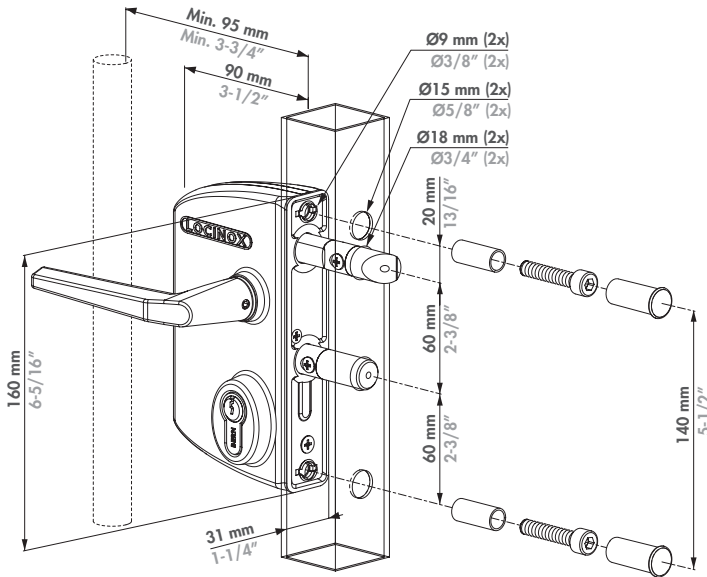


LOCINOX®

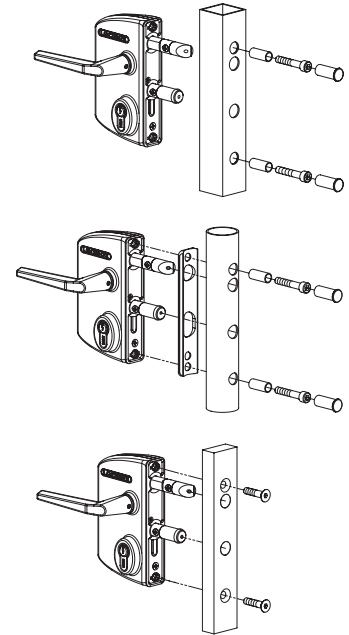
Let's make better fences together

LPKQ U2

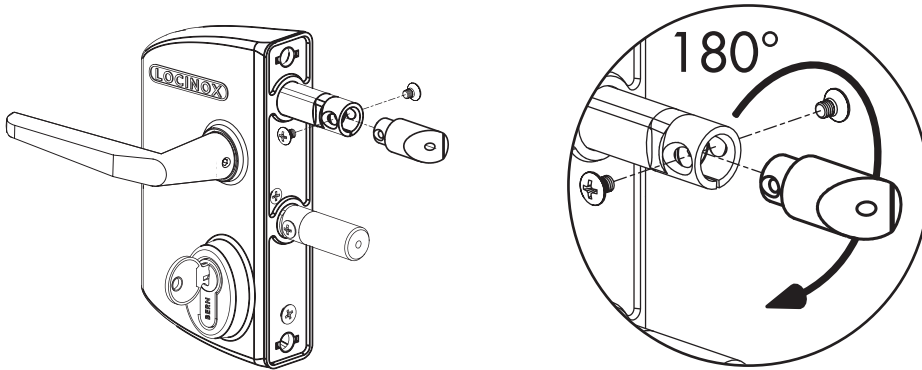
① Explosion & Dimensions



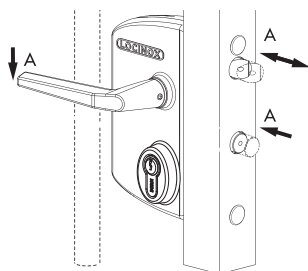
② Profile types



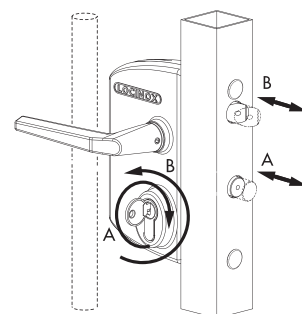
③ Left/Right Changing



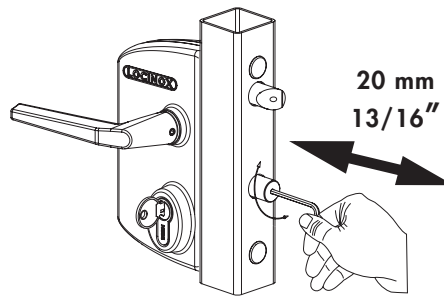
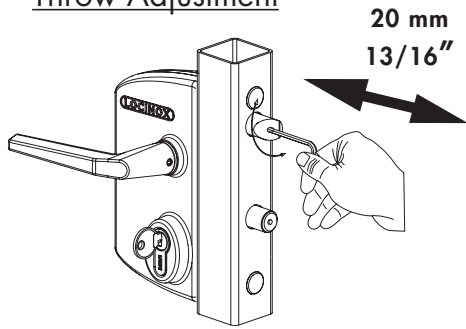
④ Handle Operation / Panic function



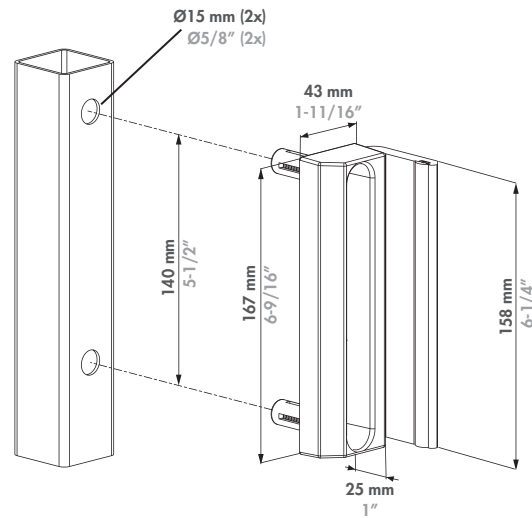
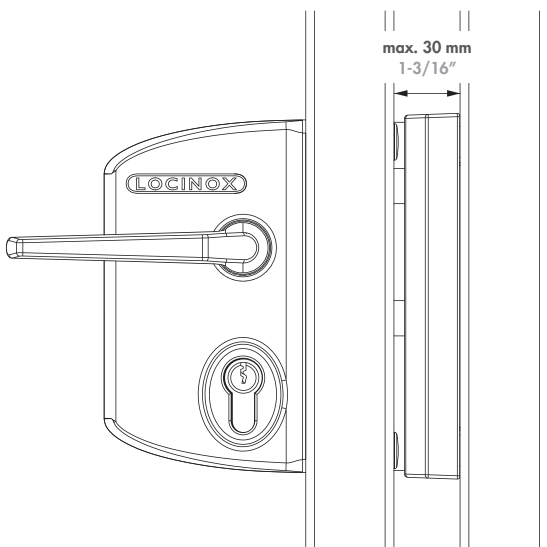
⑤ Key Operated (B) & Throw (A)



⑥ Throw Adjustment



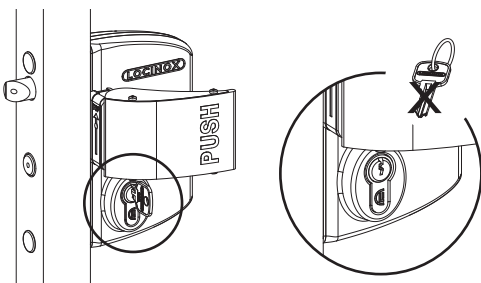
⑦ SAKL QF - Industrial Keep



⑧ Remarks



Lock can be part of an EN179 installation. Approval of total emergency-exit closure system is necessary. Additional Local / National Regulations may apply.



Remove the key for secure anti-panic functioning.

LOCINOX[®]
WWW.LOCINOX.COM

Doc. Nr.: MANU-000228



Locinox nv • Mannebeekstraat 21 • B-8790 Waregem • Belgium
Tel. +32 (0)56 77 27 66 • Fax. +32 (0)56 77 69 26 • E-mail: locinox@locinox.com